



## Maytag® 36- Inch Wide French Door Refrigerator with PowerCold® Feature - 25 Cu. Ft.

MFI2570FEZ

### Available Finishes/Colours



MFI2570FEB  
Black



MFI2570FEW  
White



MFI2570FEZ  
FingerPrint Resistant Stainless Steel

### Dimensions

Depth	35 1/4
Height	70 1/8
Width	35 5/8

### Details

Cooling Type	Single Evaporator
Counter Depth	No
Door Style	Contour

This Maytag® french door refrigerator is made with heavy-duty components and features that deliver the right kind of cold exactly where it's needed. Fingerprint resistant stainless steel keeps this fridge looking as good on the outside as it works on the inside. With the touch of a button, the PowerCold® feature quickly chills down the refrigerator. The temperature-controlled Wide-N-Fresh™ deli drawer provides the perfect place to keep deli items so they stay fresh longer. And when it comes to durability, this french door refrigerator has stainless steel handles to give you something hardy to grab on to, while the 10-year limited parts warranty<sup>1</sup> on the compressor means you can count on it hold the cold for years.

### AHAM Volumes And Shelf Area

Freezer Volume (Cu Ft)	6.70
Refrigerator Volume (Cu Ft)	18.00

### Controls

Control Type	Electronic
Air Filter Indicator/Reset	No
Automatic Defrost	Yes
Verrouillage des commandes	Yes
LCD Touch Screen	No
Door Ajar/Open Alarm	Yes
Control Lockout	Yes
Max Cool/Fast Cool	Yes
Water Filter Indicator/Reset	Yes

### Configuration and Overview

Advance Foam Insulation	99.9% lower Global Warming Potential and Better Energy Performance
-------------------------	--

Counter Depth	No
Number of Doors	3

### Compatibility

Connectivity	No
Works With	No

### Details

Advance Foam Insulation	99.9% lower Global Warming Potential and Better Energy Performance
-------------------------	--

### Top Features

PowerCold™ Feature

Temperature-controlled Wide-N-Fresh™ deli drawer

BrightSeries™ LED Lighting

### Manuals & Literature:

[Dimension Guide](#) [Energy Guide](#)

[Use and Care Guide](#) [Warranty Information](#)





# French Door w/Ice Dispenser Refrigerator

## PRODUCT MODEL NUMBERS

MFI2570FE

**Electrical:** A 115-volt, 60 Hz, AC-only 15- or 20-amp fused, grounded electrical supply is required. It is recommended that a separate circuit serving only your refrigerator and approved accessories be provided. Use an outlet that cannot be turned off by a switch. Do not use an extension cord.

**Water:** A cold water supply with water pressure between 35 and 120 psi (241 and 827 kPa) is required to operate the water dispenser and ice maker. If you have questions about your water pressure, call a licensed, qualified plumber.

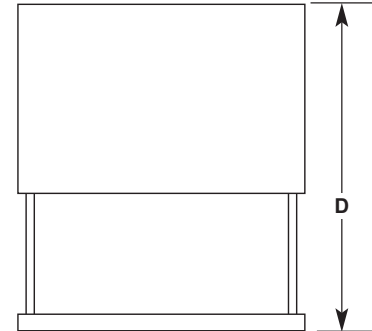
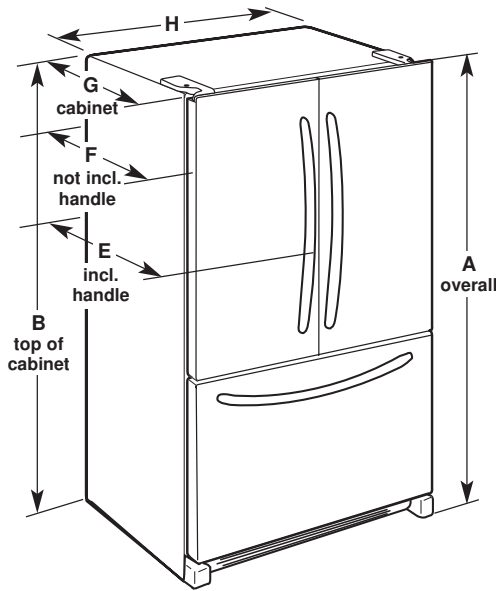
**NOTE:** If the water pressure is less than what is required, the flow of water from the water dispenser could decrease or ice cubes could be hollow or irregular shaped.

**Reverse Osmosis Water Supply:**

**IMPORTANT:** The pressure of the water supply coming out of a reverse osmosis system going to the water inlet valve of the refrigerator needs to be between 35 and 120 psi (241 and 827 kPa).

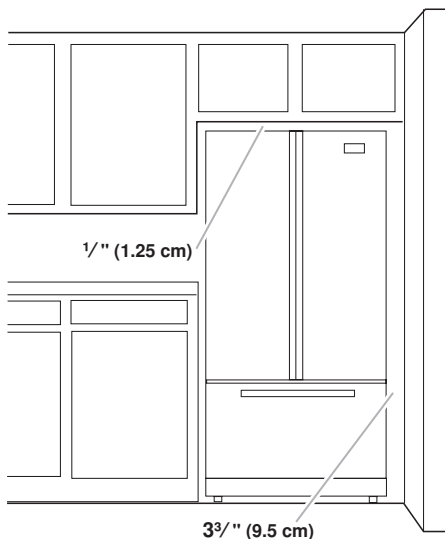
If a reverse osmosis water filtration system is connected to your cold water supply, the water pressure to the reverse osmosis system needs to be a minimum of 40 to 60 psi (276 to 414 kPa).

## PRODUCT DIMENSIONS



Model Size	Height - Overall "A"	Height - Top of Cabinet "B"	Depth - Door Open 90° "C"	Depth - Drawer Open "D"	Depth - With Handles "E"	Depth - Without Handles "F"	Depth - Cabinet Only "G"	Width - Cabinet "H"
24.7 cu. ft	70 <sup>1</sup> / <sub>8</sub> " (178.1 cm)	68 <sup>5</sup> / <sub>8</sub> " (174.3 cm)	48" (121.9 cm)	54" (137.2 cm)	35 <sup>1</sup> / <sub>4</sub> " (89.5 cm)	32 <sup>7</sup> / <sub>8</sub> " (83.5 cm)	29" (73.7 cm)	35 <sup>5</sup> / <sub>8</sub> " (90.5 cm)

## LOCATION REQUIREMENTS



**IMPORTANT:** This refrigerator is designed for indoor, household use only.

To ensure proper ventilation for your refrigerator, allow for a 1/2" (1.25 cm) of space on each side and at the top. Allow for a 1" (2.54 cm) space behind the refrigerator. If your refrigerator has an ice maker, allow extra space at the back for the water line connections. When installing your refrigerator next to a fixed wall, leave a 3 3/4" (9.5 cm) minimum space between the refrigerator and wall to allow the door to swing open.

**NOTE:** This refrigerator is intended for use in a location where the temperature ranges from a minimum of 55°F (13°C) to a maximum of 110°F (43°C). The preferred room temperature range for optimum performance, which reduces electricity usage and provides superior cooling, is between 60°F (15°C) and 90°F (32°C). It is recommended that you do not install the refrigerator near a heat source, such as an oven or radiator.