



## Whirlpool® 31-inch Wide SideKicks® All-Refrigerator with LED Lighting - 18 cu. ft.

WSR57R18DM

### Available Finishes/Colours

WSR57R18DM  
Monochromatic Stainless  
Steel

WSR57R18DH  
White Ice

You'll have plenty of room to store all your everyday favorites inside this 18 cu. ft. SideKicks® refrigerator. Enjoy a longer-lasting, energy-efficient light on your food with LED lighting. The temperature alarm will notify you if the SideKicks® refrigerator gets too warm. Plus, you can choose the ideal temperature for whatever foods you're storing with electronic temperature controls.

### Top Features

**LED Interior Lighting**

**Electronic Temperature Controls**

**Temperature Alarm**

### Manuals & Literature:

 [Dimension Guide](#)  [Energy Guide](#)

 [Owner Manual](#)  [Warranty Information](#)

Dimensions		Electrical	
Depth	31.25	Volts	115
Height	66.75		
Width	30.25	Exterior	
		Handle Color	Brushed Aluminum
		Handle Material	Metal
		Handle Type	Reach-Through Handle
		Cabinet Color	Grey
		Cabinet Finish	Smooth
		Door Finish	Smooth
		Door Opening	Right Swing
		Door Style	Flat
		Hidden Hinge	Yes
		Number Of Doors	1
		Reversible Door	No
Electrical		AHAM Volumes And Shelf Area	
Amps	15	Refrigerator Volume Cu Ft	17.7

Dimensions	
Depth	31.25
Height	66.75
Width	30.25

Compatibility	
Connectivity	
Works With	

Controls	
Control Location	Interior Up Front
Control Type	Electronic
Control Lockout	No
Door Ajar Open Alarm	No
Max Cool Fast Cool	No
Water Filter Indicator Reset	No

Electrical	
Volts	115
Exterior	
Handle Color	Brushed Aluminum
Handle Material	Metal
Handle Type	Reach-Through Handle
Cabinet Color	Grey
Cabinet Finish	Smooth
Door Finish	Smooth
Door Opening	Right Swing
Door Style	Flat
Hidden Hinge	Yes
Number Of Doors	1
Reversible Door	No

Electrical	
Amps	15

AHAM Volumes And Shelf Area	
Refrigerator Volume Cu Ft	17.7

## PRODUCT MODEL NUMBERS

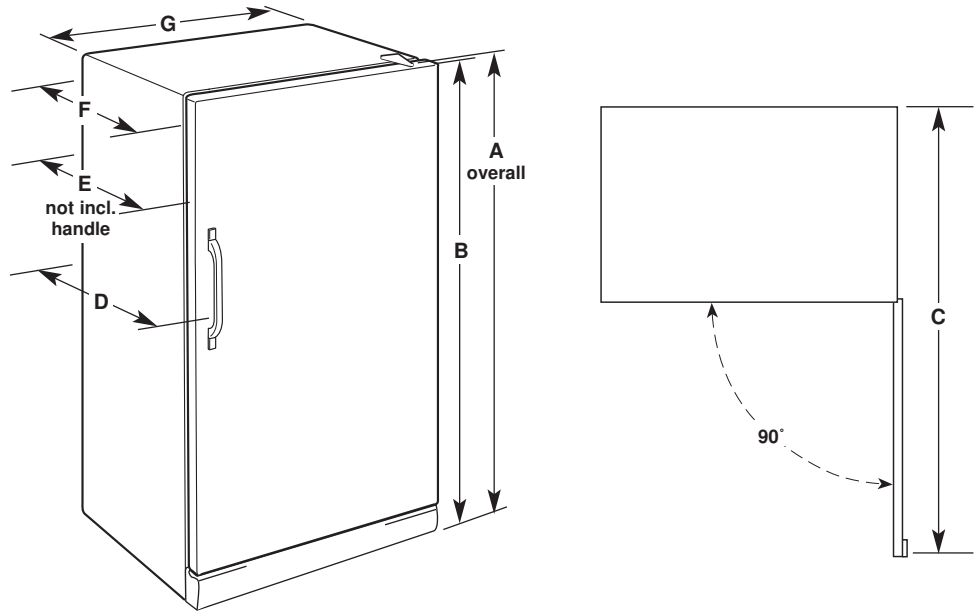
WRF57R18D      WSR57R18D  
WRR56X18F

### Recommended grounding method

A 115 Volt, 60 Hz., AC only, 15- or 20-amp fused, grounded electrical supply is required. It is recommended that a separate circuit serving only your freezer be provided. Use an outlet that cannot be turned off by a switch. Do not use an extension cord.

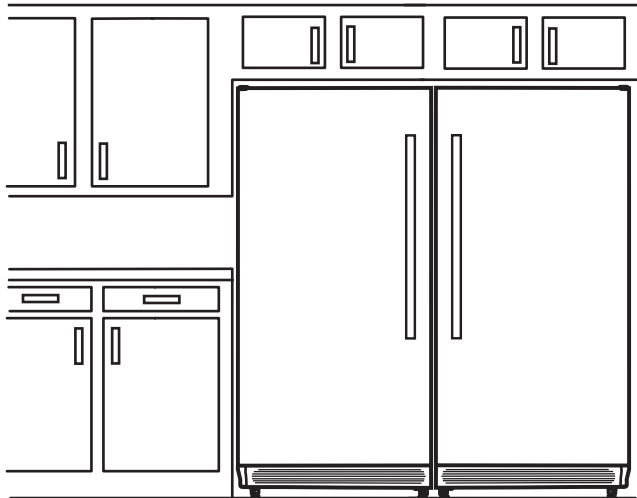
**NOTE:** Before performing any type of installation, cleaning, or removing a light bulb, turn the control (Thermostat, Refrigerator or Freezer Control depending on the model) to OFF and then disconnect the refrigerator from the electrical source. When you are finished, reconnect the refrigerator to the electrical source and reset the control (Thermostat, Refrigerator or Freezer Control depending on the model) to the desired setting. See "Using the Controls."

## PRODUCT DIMENSIONS



Model Number	Model Size	Door Swing	Height - Overall "A"	Height - Top of Cabinet "B"	Depth - Door Open 90° "C"	Depth - With Handles "D"	Depth - Without Handles "E"	Depth - Cabinet Only "F"	Width - Cabinet "G"
WRF57R18D WRR56X18F	17.7 cu. ft.	Right	66 <sup>3</sup> / <sub>8</sub> " (169.5 cm)	66 <sup>1</sup> / <sub>8</sub> " (168.3 cm)	55 <sup>7</sup> / <sub>8</sub> " (141.9 cm)	30" (76.2 cm)	29 <sup>1</sup> / <sub>8</sub> " (74 cm)	24 <sup>5</sup> / <sub>8</sub> " (62.5 cm)	30 <sup>1</sup> / <sub>8</sub> " (76.8 cm)
WSR57R18D	17.7 cu. ft.	Right	66 <sup>3</sup> / <sub>8</sub> " (169.5 cm)	66 <sup>1</sup> / <sub>8</sub> " (168.3 cm)	55 <sup>3</sup> / <sub>8</sub> " (141.6 cm)	31 <sup>1</sup> / <sub>8</sub> " (79.4 cm)	28 <sup>7</sup> / <sub>8</sub> " (73.3 cm)	24 <sup>5</sup> / <sub>8</sub> " (62.5 cm)	30 <sup>1</sup> / <sub>8</sub> " (76.8 cm)

## LOCATION REQUIREMENTS



### Ventilation and Clearance

- This freezer may be installed side by side with another refrigerator or freezer. Allow at least 1" (2.54 cm) between back of cabinet and the wall, and a 1/4" (6.4 mm) clearance between the appliances.
- If you are installing your refrigerator next to a fixed wall, leave extra space on the hinge side so the door can open wider.
- Keep flammable materials and vapors, such as gasoline, away from freezer.
- Do not cover the freezer with items such as blankets, sheets, tablecloths, etc. This reduces air circulation.

### Temperature

Your freezer operates most efficiently when located in an area where the temperature will not fall below 40°F (5°C). Place your freezer in a location where the temperature will not fall below this recommended temperature.